

# **SINGER**

**178-1**

Form 19172

( 338 )

Printed in U. S. A.

# LIST OF PARTS



MACHINE No. 178-1

---

THE SINGER MANUFACTURING COMPANY

# INSTRUCTIONS FOR OILING

---

Use only Singer "Oil For High Speed Sewing Machines (Cloth and Leather)" for general use, or "Stainless Oil For High Speed Sewing Machines" where a stainless oil is desired.

Apply a drop or two of oil once each week to all holes marked "OIL". Remove the face plate and oil the moving parts thus uncovered. Lay the machine on its rear side and oil all oiling points in the machine bed.

A small quantity of grease should be applied to the roller-way on the under side of each of the two cams, and to the worm gear and bevel gears in the machine bed. See Form 19011 for detailed instructions.

## INDEX

---

	Page
Accessories.....	12
Machine Base.....	12
Machine No. 178-1.....	5
Numerical List of Parts.....	13
Obsolete Parts.....	12

Copyright, U. S. A., 1938  
by The Singer Manufacturing Co.  
All Rights Reserved for all Countries

From the library of: Diamond Needle Corp

# INSTRUCTIONS FOR ORDERING

In ordering from this list, use ONLY the part NUMBER in the FIRST column.

The number stamped on a Sewing Machine Part is in every case the number of the single part only.

Every combination of parts sent out as such has its specific number, which, although not stamped on the parts, must be used when ordering the combination.

Each number always indicates the SAME PART in whatever list it appears, or for whatever machine.

The letters after some of the numbers indicate the style of finish only, as follows:

- A-Hardened, Polished, Nickel Plated and Buffed
- B-Polished, Nickel Plated and Buffed
- C-Hardened Only
- D-Polished Only
- E-Soft, Not Polished
- F-Hardened and Polished
- F.J-Hardened, Polished and Nickel Plated
- G-Bright Rumbled and Nickel Plated
- H-Blued
- J-Nickel Plated Only
- K-Hardened and Nickel Plated
- L-Brass Plated
- M-Oxidized
- N-Japanned, Dull
- P-Japanned, Bright
- R-Merlized
- S-Cadmium Plating
- T-Copper Plated
- T.A-Hardened, Polished, Copper and Nickel Plated and Buffed
- T.B-Copper and Nickel Plated and Polished
- T.J-Copper and Nickel Plated Only
- T.K-Hardened, Copper and Nickel Plated
- T.L-Copper and Brass Plated
- T.M-Copper Plated and Oxidized
- U-Zinc Plated
- V-Silver Plated
- W-Polished and Nickel Plated
- X-Black Oxide, for Iron and Steel
- X.C-Hardened and Black Oxide, for Iron or Steel
- Y-Black Nickel Plated Only
- Z-Chromium Plated
- Z.A-Hardened, Polished, Nickel Plated, Buffed and Chromium Plated
- Z.B-Polished, Nickel Plated, Buffed and Chromium Plated
- Z.C-Hardened and Chromium Plated
- Z.J-Nickel and Chromium Plated

These letters MUST BE USED when they appear in the list; and AFTER the number as in the list.

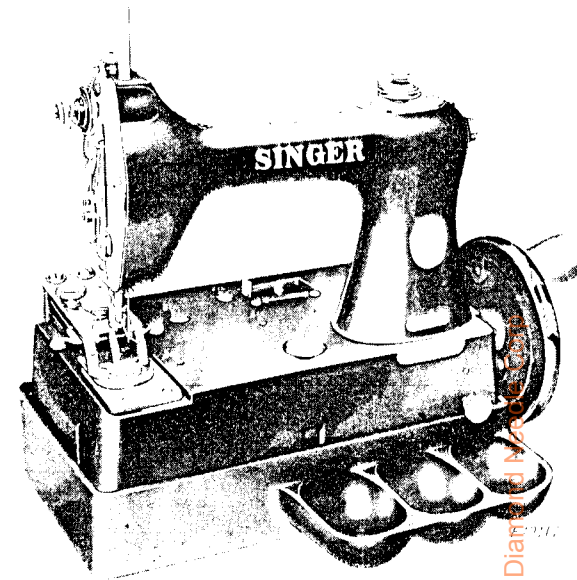
In this series:

- 1 to 1500, 50001 to 51500 and 140001 to 142000 are Screw Numbers
- 1501 to 1800 and 51501 to 51800 are Nut Numbers
- 1801 to 2000 and 51801 to 52000 are Roller Numbers
- 2001 to 50000 and 52001 to 140000 and 142001 to 190000 are Sewing Machine Parts, 190001 and upward are numbers of Electrical Parts.

The figures in the second column refer only to the plates, illustrating the parts, and are NOT TO BE USED in ordering.

Parts marked with an asterisk (\*) are furnished only when repairs are made at factory.

## LIST OF PARTS COMPLETE FOR



MACHINE No. 178-I

For Stitching Two and Four-Hole Buttons on Barber and Waiter Coats; also shirts, waists, underwear, infants' wear and all light and washable fabrics. The machine makes two parallel bars in four-hole buttons and consists of twelve stitches, including the cross-over and fastening stitch in four-hole buttons. Button clamp suitable for 10 to 35 line buttons.

No.	Plate	Name
*178001	-----	Arm with 45773 and two 15405.....
	Note:	Due to accuracy required for gear alignment, Arm cannot be supplied separately and can only be sent out as a unit, Arm and Bed assembled.....
	2022	22826 Arm Dowel Pin.....
179002	22827	" Rotary Shaft.....
178003	-----	" " " 178002 with 8575 and 178005.....
178004	22826	Arm Rotary Shaft Collar with two 50150C
50150C	22826	" " " " Set Screw.....
178005	22826	" " " Crank.....
8575	22826	" " " " Pin.....

PARTS FOR MACHINE No. 178-1

No.	Plate	Name
178006	22826	Arm Rotary Shaft Gear with two 1147C...
1147C	22826	" " " " Set Screw.....
134E	22826	" Screw.....
178007	22827	" Shaft (upright).....
178006	22826	" " " Gear (lower) with two 1147C.....
1147C	22826	Arm Shaft (upright) Gear (lower) Set Screw.....
178008	22826	Arm Shaft (upright) Gear (upper) with two 1147C.....
1147C	22826	Arm Shaft (upright) Gear (upper) Set Screw.....
*178009	-----	Bed.....
	Note:	Due to the accuracy required for gear alignment, Bed cannot be supplied separately and can only be sent out as a unit, Arm and Bed Assembled.....
9256	22826	Bed Spool Pin.....
178106	22826	" " " Washer.....
178010	22827	Button Clamp (left) with 19445 and 178013.....
178011	-----	Button Clamp (left) 178010 with 662J, and 178012.....
1175K	22826	Button Clamp (left) Hinge Screw.....
178012	22826	" " " Spring.....
662J	22826	" " " " Screw.....
19445	22826	" " " " Steady Pin..
178013	22826	" " " Stud.....
178014	22827	" " (right) with 19445 and 178013.....
178015	-----	Button Clamp (right) 178014 with 662J and 178016.....
1175K	22826	Button Clamp (right) Hinge Screw.....
178016	22826	" " " Spring.....
662J	22826	" " " " Screw.....
19445	22826	" " " " Steady Pin.
178013	22826	" " " Stud.....
178017	22826	" " Adjusting Lever.....
287W	22826	" " " " Thumb Screw.....
7071	22826	Button Clamp Adjusting Lever Thumb Screw Washer.....
178018	22827	Button Clamp Arm with 178025.....
178019	22827	" " " Hinge Bracket.....
178020	22829	" " " " Hinge Pin.....
337J	22829	Button Clamp Arm Hinge Bracket Hinge Pin Set Screw.....
898J	22829	Button Clamp Arm Screw.....

PARTS FOR MACHINE No. 178-1

No.	Plate	Name
90530	22829	Button Clamp Arm Screw Washer.....
178021	22829	" " Button Stop with two 2084.
140142C	22829	" " " " Screw.....
178022	22829	" " Closing Spring.....
178023	22829	" " " " Plate.....
230J	22829	" " " " " Screw
178024	22829	" " Lifter.....
330J	22829	" " " Screw.....
178025	22829	" " " Wire.....
178026	22827	" " Presser Bar.....
2065	22827	" " " " Spring.....
178027	22829	" " " " Lifter.....
1294C	22829	" " " " " Hinge Screw Stud.....
178028	22829	Button Clamp Presser Bar Lifting Bracket with 185J.....
185J	22829	Button Clamp Presser Bar Lifting Bracket Clamping Screw.....
51228B	22829	Button Clamp Pressure Regulating Thumb Screw.....
178029	22829	Button Clamp Spreader.....
336J	22829	" " " Screw.....
2084	22829	" " " Steady Pin.....
178030	-----	Button Clamp complete for 10 to 35 ligne buttons, Nos. 230J, 287W, 7071, 140142C, 178011, 178015, 178017, 178018, 178021 to 178023, 178029 and two each 336J and 1175K.....
178031	22827	Face Plate.....
178032	-----	Face Plate complete, Nos. 208J, 957K, 1607J, 1655J, 1700J, 7071, 9544, 22436, 50367J, 125375, 178031, 178033 to 178037, 178088, 178089, 178103 and 178107.....
330B	22829	Face Plate Screw.....
178033	22828	" " Thread Nipper Plate (inside)
178034	22828	" " " " (outside)
50367J	22828	" " " " Screw...
7071	22826	" " " " Spacing Washer.....
178035	22828	Face Plate Thread Nipper Releasing Screw Stud.....
178036	22828	Face Plate Thread Nipper Releasing Screw Stud Bushing.....
1655J	22828	Face Plate Thread Nipper Releasing Screw Stud Bushing Nut.....
1607J	22828	Face Plate Thread Nipper Releasing Screw Stud Nut.....
178037	22828	Face Plate Thread Nipper Releasing Screw Stud Screw Bushing.....

from the file: 178-1 and Needle Co.

## PARTS FOR MACHINE No. 178-1

No.	Plate	Name
178107	22828	Face Plate Thread Retainer Disc.....
9544	22828	" " " " " " Cover..
208J	22828	" " " " " " " Screw.....
125375	22828	Face Plate Thread Retainer Disc Spring.
178108	22830	Feed Cam.....
178039	22830	" " Driving Worm with 624C and 791C.....
791C	22828	Feed Cam Driving Worm Position Screw...
624C	22828	" " " " " " Set Screw.....
178040	22830	" " " " " " Wheel.....
140143C	22828	" " " " " " Hinge Screw
178041	22828	" " " " " " Steady Pin.
178042	22827	" Plate.....
178043	22827	" " Carrier with 337J.....
178110	-----	" " " " 178043 with 178019 and 178020.....
178044	22827	Feed Plate Carrier Adjusting Handle....
191J	22828	" " " " " " " Support Screw.....
212D	22828	Feed Plate Carrier Adjusting Handle Screw.....
51673C	22828	Feed Plate Carrier Adjusting Handle Screw Nut.....
212D	22828	Feed Plate Carrier Adjusting Handle Stop Screw.....
51674C	22828	Feed Plate Carrier Adjusting Handle Stop Screw Nut.....
178045	22827	Feed Plate Carrier Adjusting Handle Support.....
178055	22828	Feed Plate Carrier Adjusting Screw Stud
178047	22827	" " " " " " Slide.....
178105	-----	" " " " " " " 178047 with 212D and 51673C.....
178048	22828	Feed Plate Carrier Adjusting Slide Connecting Link.....
946D	22828	Feed Plate Carrier Adjusting Slide Connecting Link Hinge Screw.....
946D	22828	Feed Plate Carrier Adjusting Slide Hinge Screw.....
178049	22831	Feed Plate Carrier Driving Arm.....
178104	-----	" " " " " " " 178049 with 7958, 51926 and 178050.....
178050	22828	Feed Plate Carrier Driving Arm Hinge Stud.....
7958	22828	Feed Plate Carrier Driving Arm Pin.....
51926	22828	" " " " " " " Roller and Screw Stud.....
1403F	22828	Feed Plate Carrier Hinge Screw.....

## PARTS FOR MACHINE No. 178-1

No.	Plate	Name
178051	22831	Feed Plate Carrier Regulator with 51926
1499F	22828	" " " " " " Cap Screw.
51926	22828	" " " " " " Roller and Screw Stud.....
178109	22833	Feed Plate Carrier Spring.....
178052	22831	" " " " " " Vibrating Arm.....
140144C	22833	" " " " " " " Slide Screw.....
178053	22833	Feed Plate Carrier Vibrating Arm Slide Screw Bushing.....
1708J	22833	Feed Plate Carrier Vibrating Arm Slide Screw Nut.....
178054	22830	Feed Plate Carrier Vibrating Cam.....
120E	22833	" " " " " " " Screw.
178046	22833	" " " " " " " Stud.....
212D	22828	" " " " " " " Cap Screw.....
178056	22833	Feed Plate Carrier Vibrating Stud Position Plate.....
399E	22833	Feed Plate Carrier Vibrating Stud Position Plate Screw.....
227J	22833	Feed Plate Screw.....
178057	22830	Hand Wheel with 448C and 1299C.....
178058	22830	" " " " " " Handle (wood).....
140196E	22830	" " " " " " Hinge Screw.....
1299C	22833	" " " " " " Position Screw.....
448C	22833	" " " " " " Set Screw.....
178060	22831	" " " " " " Shaft.....
178061	22833	" " " " " " Collar with two 1259C.
1259C	22833	" " " " " " " Set Screw.....
178062	22826	" " " " " " Gear with 791C and 1147C.....
791C	22828	Hand Wheel Shaft Gear Position Screw...
1147C	22826	" " " " " " " Set Screw.....
178063	22833	" " " " " " Stop Block.....
162D	22833	" " " " " " " Screw.....
178064	22833	Looper.....
50302D	22832	" " " " " " " Set Screw.....
178065	22831	Needle Bar with 336F.....
178066	22833	" " " " " " " Connecting Link.....
140145C	22833	" " " " " " " Hinge Screw.
178067	22833	" " " " " " " Stud with 50311C.
50311C	22833	" " " " " " " " Set Screw...
178068	22833	" " " " " " " Thread Guide.....
178069	-----	" " " " " " " Guide.....
178070	22831	" " " " " " " 178069 with 1484D, 178072 and 178074.....
175130	22832	Needle Guide Cam with two 1259C.....
1259C	22833	" " " " " " " Set Screw.....

From the Library of: Diamond Needle Co.

No.	Plate	Name
175132	22832	Needle Guide Oscillating Crank with 140159E and 175134.....
140159E	22832	Needle Guide Oscillating Crank Clamping Screw.....
178071	22832	Needle Guide Oscillating Crank Spring..
175134	22832	" " " " " "
		Hook (bed end).....
201D	22832	Needle Guide Oscillating Crank Spring Hook (bed end) Screw.....
175134	22832	Needle Guide Oscillating Crank Spring Hook (crank end).....
*178072	-----	Needle Guide Shaft.....
178073	22832	" " " " Bushing.....
447C	22832	" " " " Set Screw....
178074	22832	" " " " Thread Finger.....
1404D	22832	" " " " Screw.....
178075	22831	" Plate.....
211D	22833	" " Screw.....
336F	22829	" Set Screw.....
178076	22831	Stop Motion Interlocking Rod.....
178077	22832	" " " " Bushing....
1125C	22832	" " " " " Set Screw.....
178078	22832	Stop Motion Interlocking Rod Collar with two 50302E.....
50302E	22832	Stop Motion Interlocking Rod Collar Set Screw.....
9534	22831	Stop Motion Interlocking Rod Spring....
*178079	-----	" " Releasing Button.....
178080	22832	" " " " 178079 with 178081.....
*178081	-----	Stop Motion Releasing Button Screw Stud
1521E	22832	" " " " " "
		Nut.....
178082	22832	Stop Motion Trip Block with 178083.....
42041	22832	" " " " Spring.....
178083	22832	" " " " Stud.....
175160	22834	Tension (automatic) Disc.....
178103	22834	" " " " Position Pin..
178084	22831	" " " " Plate.....
178101	-----	" " " " 178084 with 178087 and 178103.....
330J	22829	Tension (automatic) Plate Screw.....
1560C	22834	" " " " Regulating Thumb Nut.....
178085	22832	Tension (automatic) Releasing Cam with two 624C.....
624C	22828	Tension (automatic) Releasing Cam Set Screw.....

No.	Plate	Name
32572	22834	Tension (automatic) Releasing Disc.....
178086	22834	" " " " Stud.....
140043C	22834	" " " " Screw Stud.....
175166	-----	" " " " " 140043C with 1560C.....
1655J	22828	Tension (automatic) Screw Stud Nut.....
13710	22834	" " " " Spring.....
178087	-----	Tension (automatic) complete, Nos.1655J, 13710,32572,175166 and two 175160..
175160	22834	Tension (stationary) Disc.....
178103	22834	" " " " Position Pin.
1560C	22834	" " " " Regulating Thumb Nut.....
637C	22834	Tension (stationary) Screw Stud.....
33929	-----	" " " " 637C with 1560C.....
1547J	22834	Tension (stationary) Screw Stud Nut....
13710	22834	" " " " Spring.....
178088	-----	Tension (stationary) complete, Nos. 1547J,13710,33929 and two 175160... Thread Guide (side of arm).....
9568	22834	" " Pull-off.....
178089	22834	" " " " Hinge Screw.....
957K	22834	" " " " Nut.....
1700J	22834	" " " " Spring.....
178090	22834	" " " " Washer.....
22436	22834	" " " " Washer.....
*45773	-----	Trade Mark.....
15405	-----	" " Rivet.....

Genuine Singer Needles should be used  
in Singer Machines.  
These Needles and their Containers  
are marked with the  
Company's Trade Mark "SIMANCO." 1

Needles in Containers marked  
"For Singer Machines"  
are not Singer made needles. 2

From the library of Carthage College

### ACCESSORIES

No.	Plate	Name
36569	22835	Oiler with 36571.....
36570	-----	" 36569, filled with oil.....
36571	22835	" Spout, 1 3/4 in. long, with 36807.....
36807	22834	" " Washer (leather).....
26026	22835	Screw Driver (large).....
26485	22835	" " (small).....
25539	22835	Stiletto.....
178091	22835	Wrench for 1708.....
178092	22835	" " 1607.....

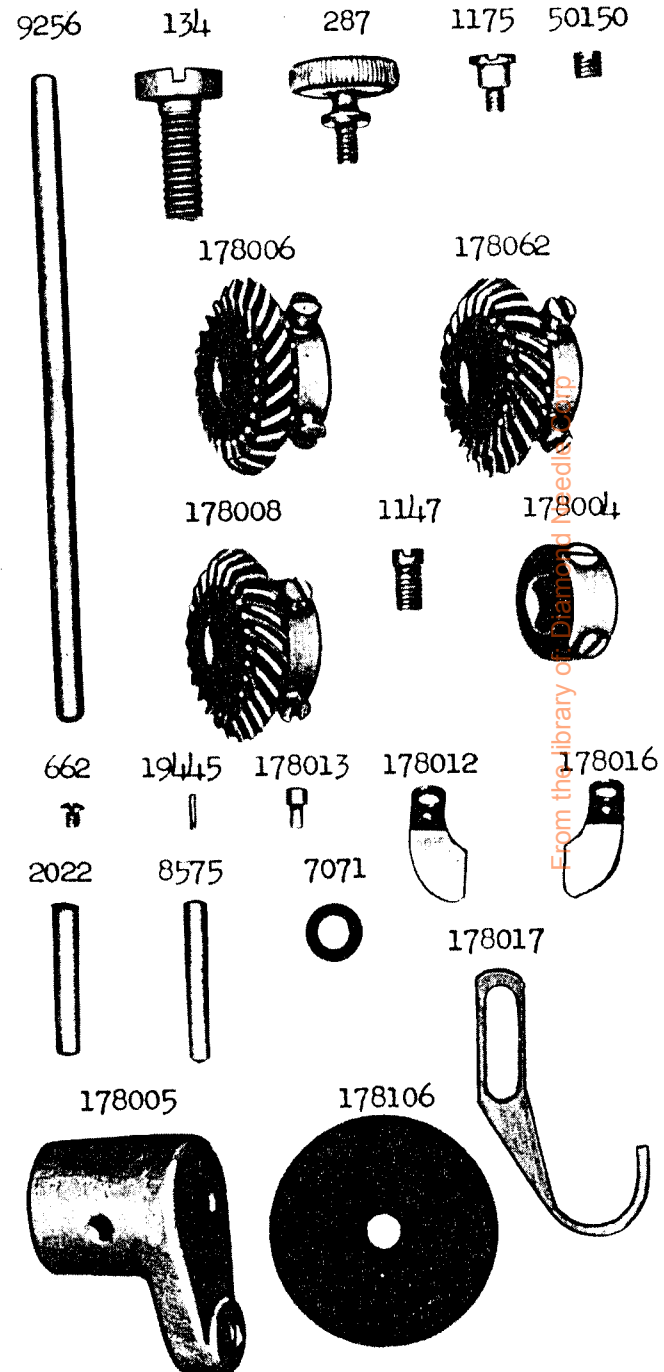
### MACHINE BASE

No.	Plate	Name
178093	22836	Machine Base.....
51083R	22834	" " Bolt with 51581R.....
51581R	22834	" " " Nut.....
40282	22834	" " " Washer.....
178094	22834	" Hinge Pin.....
42830	22834	" " Cotter Pin.....
178095	22835	" Lock Clip.....
191E	22828	" " Screw.....
771W	22834	" " Thumb Screw.....
178096	22835	" Support (lower).....
178097	22835	" " (upper).....
178098	22834	" Hinge Rivet.....
766D	22834	" " Screw.....
178099	22835	" Lock Slide.....
178102	22834	" " Rivet.....
178100	-----	Machine Support complete, Nos.178096 to 178099 and 178102.....

### OBSOLETE PARTS

No.	Plate	Name
178038	22830	Feed Cam, superseded by 178108, not interchangeable.....

### PLATE 22826 - FULL SIZE



From the library of Diamond Feeders Corp



PLATE 22827 - ONE-HALF SIZE

178002 178026 178007 178018

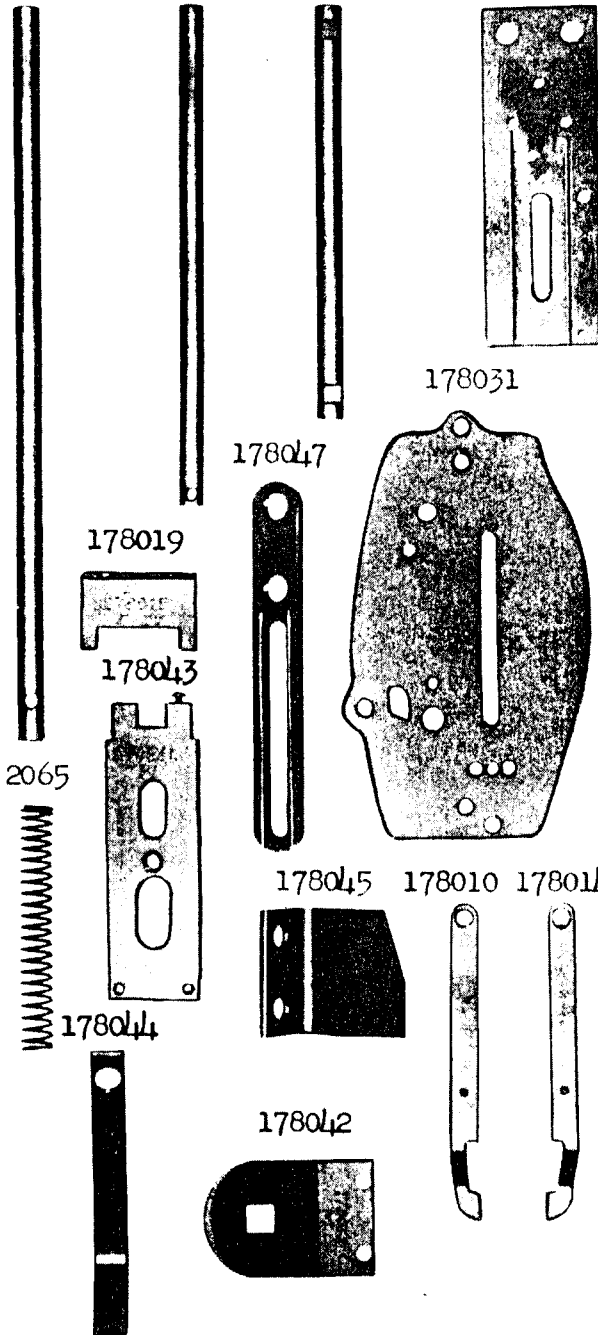
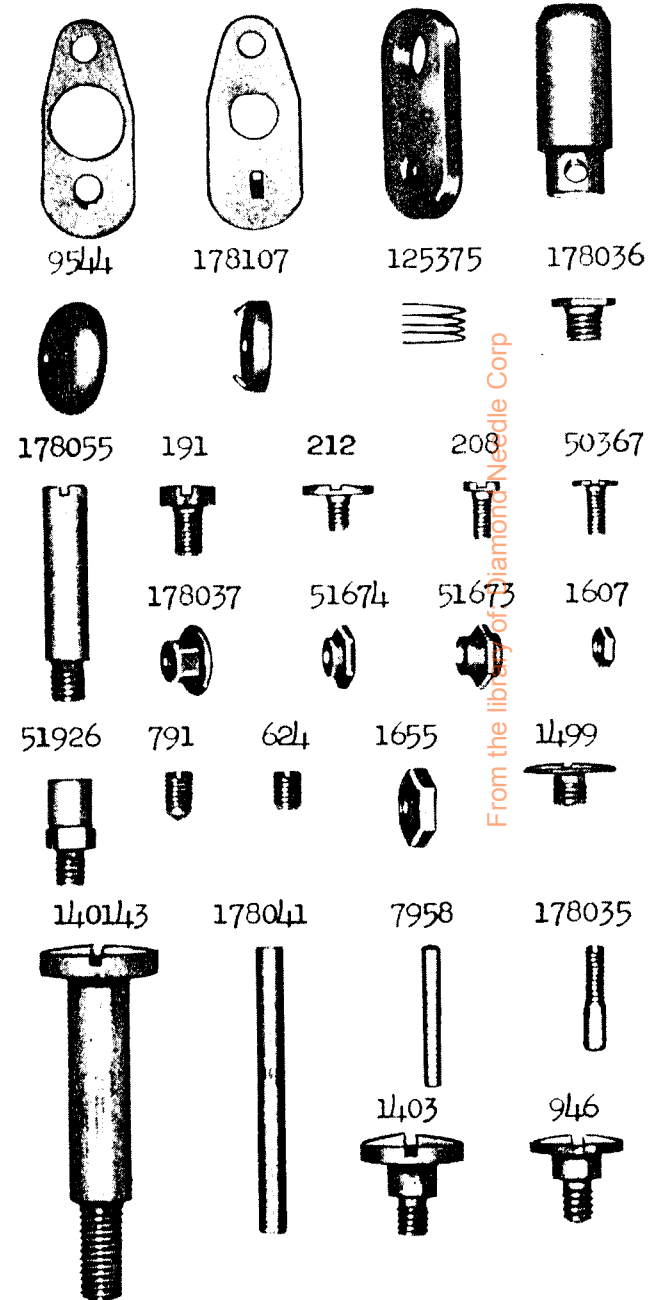


PLATE 22828 - FULL SIZE

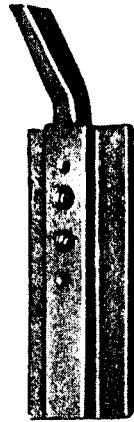
178033 178034 178048 178050



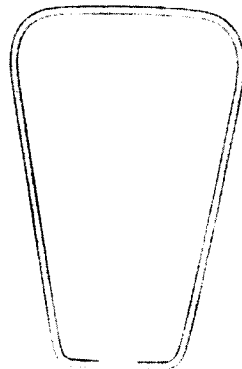
From the library of Diamond Needle Corp

PLATE 22829 - FULL SIZE

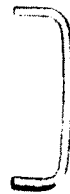
178021



178022



178025



178024



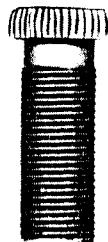
178020



178028



51228



336



185



898



178027



1294



140142



230



90530



178023



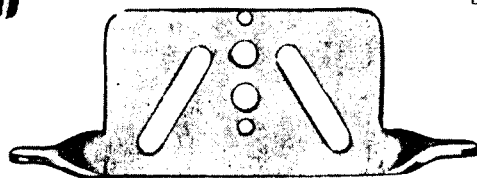
337



330



178029

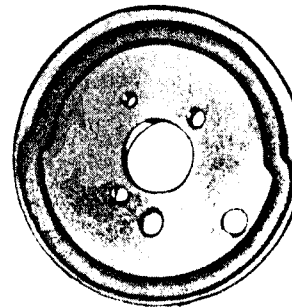


2084



PLATE 22830 - ONE-HALF SIZE

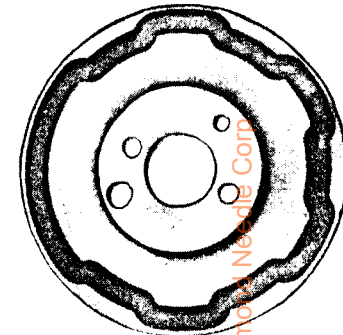
178108



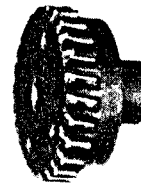
178039



178054



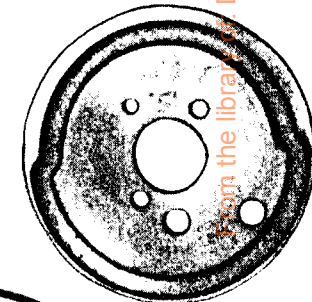
178040



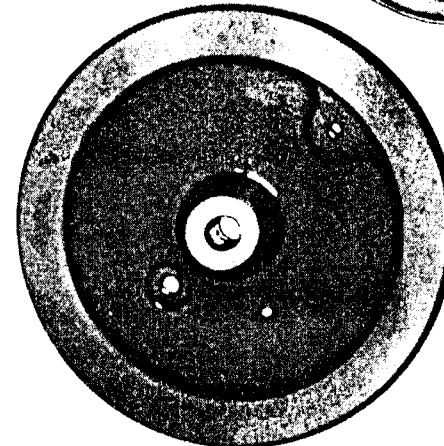
178058



178038



178057



140196



PLATE 22831 - ONE-HALF SIZE

178060 178065 178076 178052

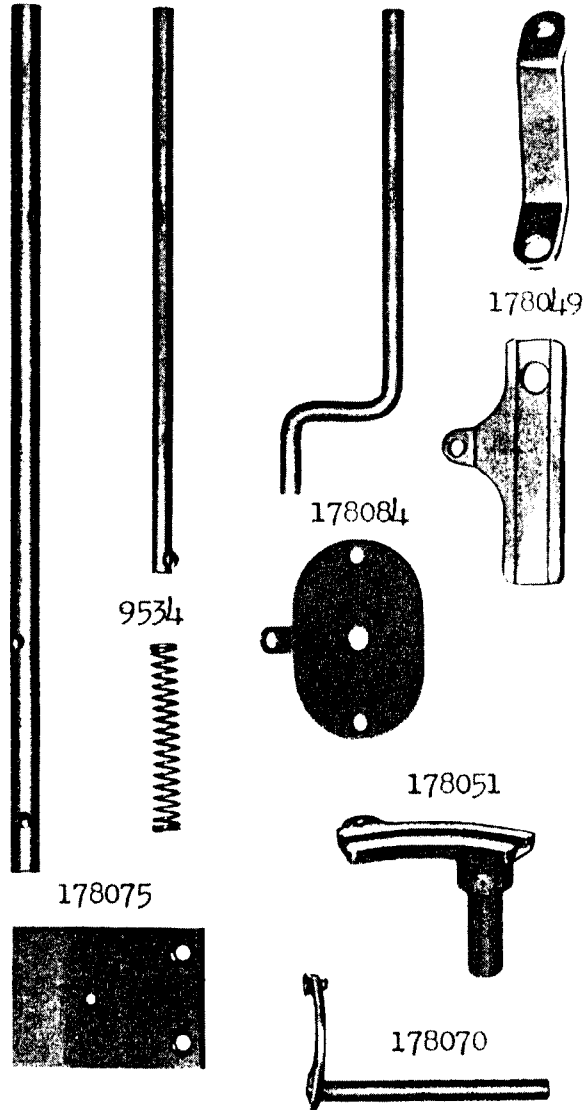
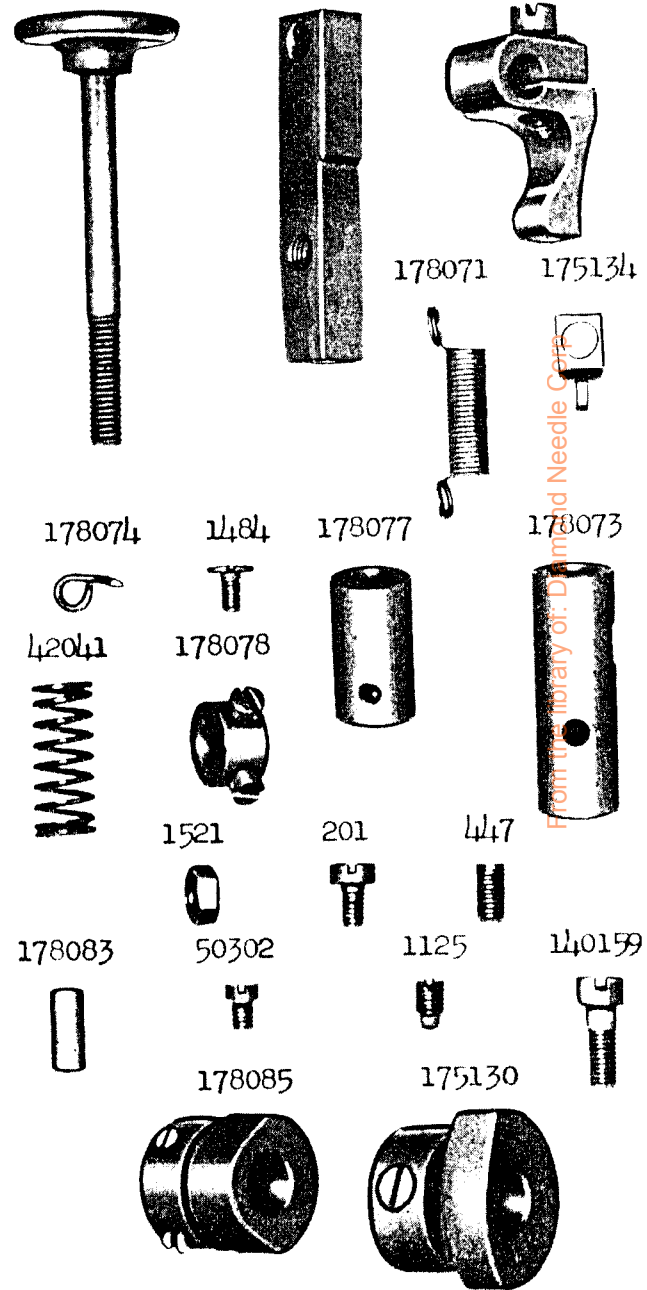


PLATE 22832 - FULL SIZE

178080 178082 175132



From the library of: Diamond Needle Co.

PLATE 22833 - FULL SIZE

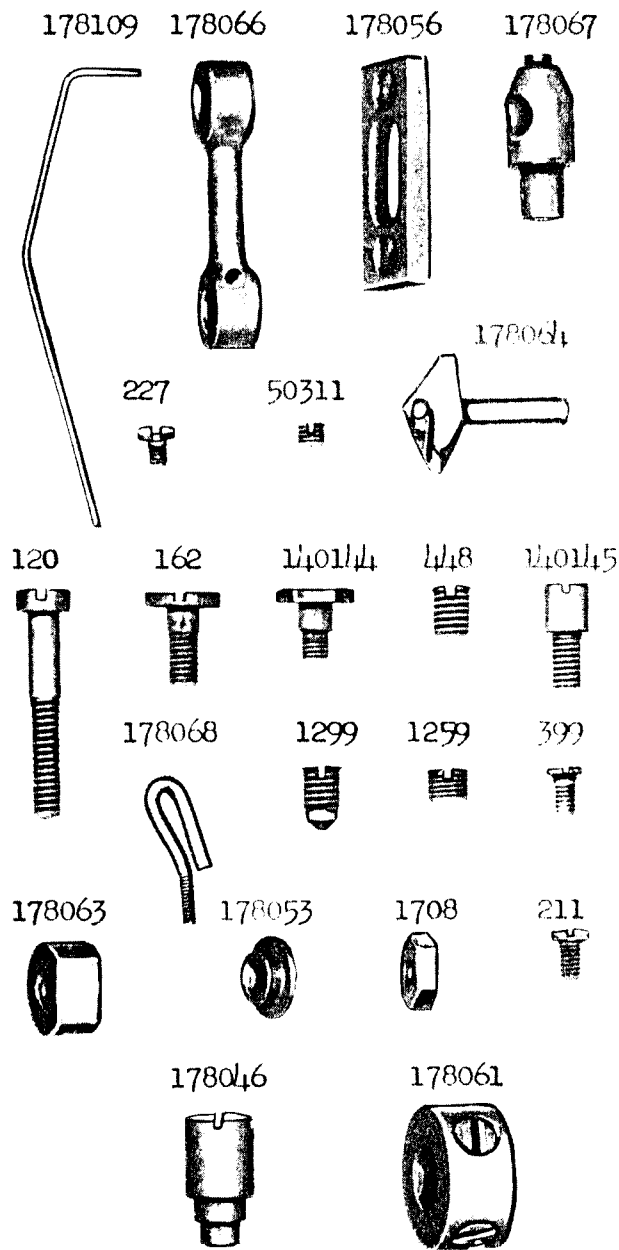
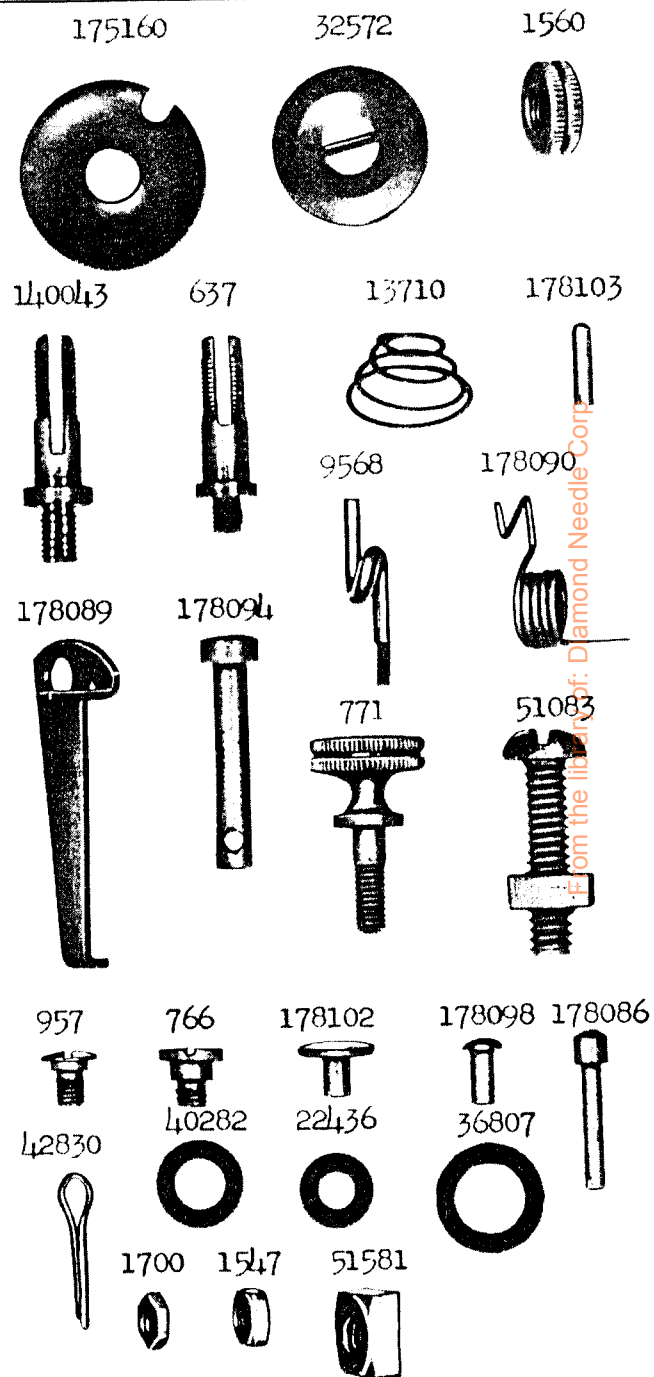


PLATE 22834 - FULL SIZE



From the library of: Diamond Needle Corp.

PLATE 22835 - ONE-HALF SIZE

26026 26485 25539 178091 178092



178097



178096



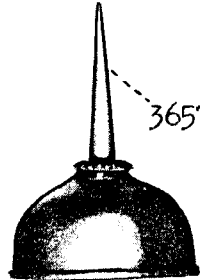
178095



178099



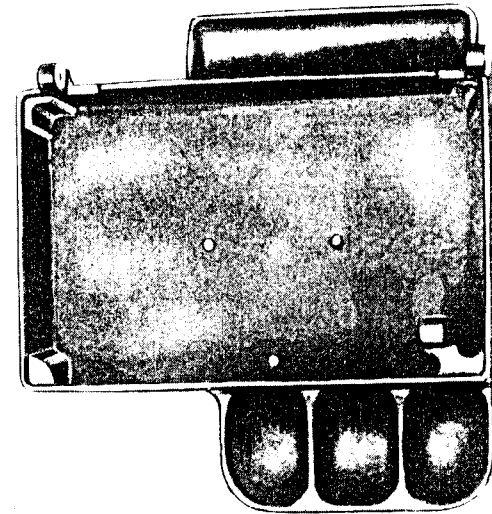
36569



36571

PLATE 22836 - ONE-FOURTH SIZE

178093



From the library of: Diamond Needle Corp